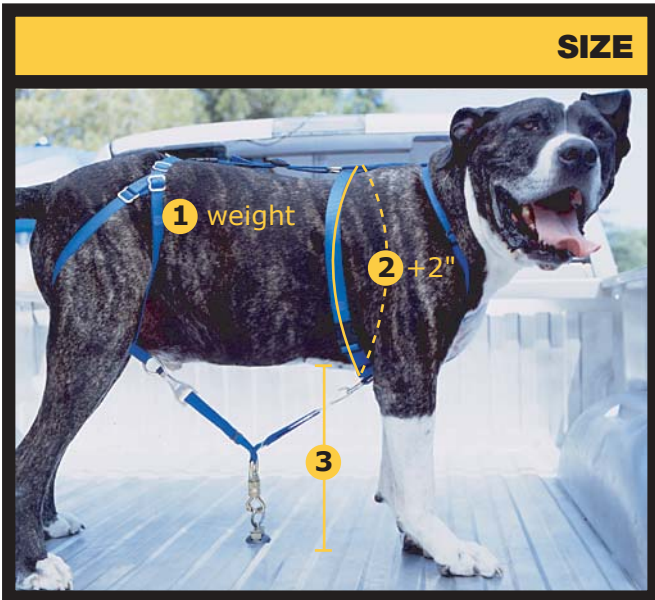


**HOW TO CHOOSE THE PROPER SIZE**



Before you order a Buckle-Up-Pup Harness System you should determine the proper size for your dog. The harness will require some additional adjustment when you first fit it to your dog.

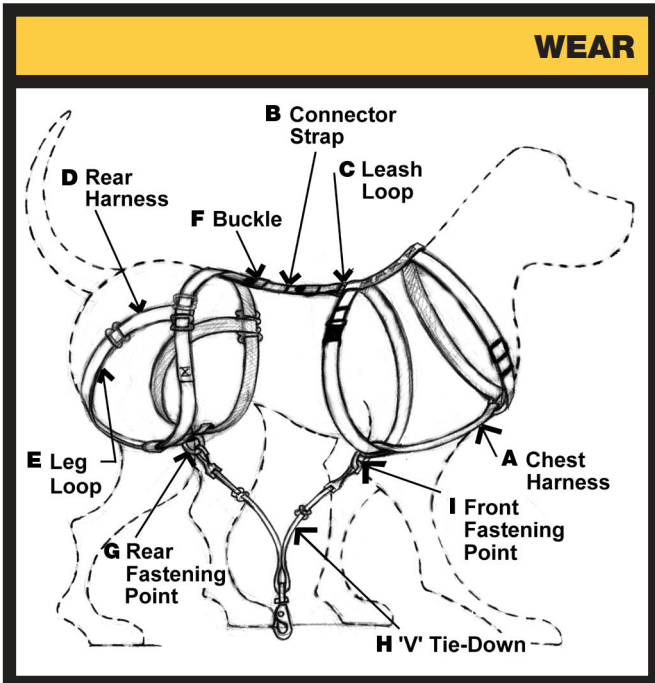
- 1** Measure the dog's weight.
- 2** Measure the dog's girth (behind the front legs) and add 2 inches.
- 3** Measure the dog's height from the ground to the bottom of the chest.

If your dog is on the border between sizes/measurements we recommend you order the larger size.

SIZE	MINI	SMALL	MEDIUM	LARGE	GIANT
<b>WEIGHT</b>	under 20 lbs	20-35 lbs	35-70 lbs	65-125 lbs	over 125 lbs
<b>CHEST GIRTH</b>	8" to 12"	10" to 18"	17" to 25"	20" to 36"	35" to 45"
<b>CHEST HEIGHT</b>	under 10"	under 10"	10" to 15"	15" to 20"	18" to 25"
<b>PRICE</b>	<b>\$35.95</b>	<b>\$39.95</b>	<b>\$49.95</b>	<b>\$59.95</b>	<b>\$69.95</b>



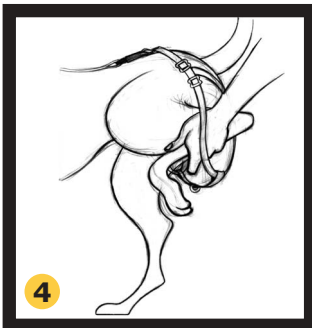
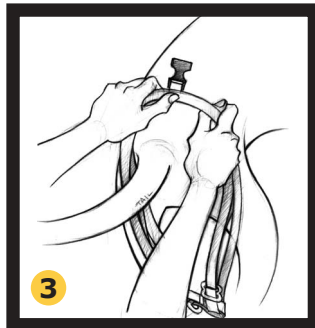
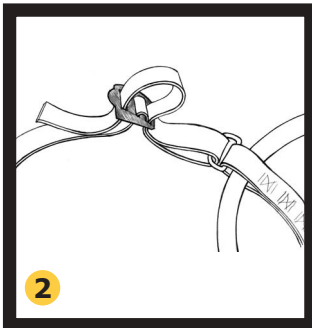
**HOW TO WEAR THE HARNESS**



Dressing your dog in the Buckle-Up-Pup Harness will take a few minutes the first time. Once it's properly fitted, the harness is easy to put on and even easier to remove.

There are four components that make up the Buckle-Up-Pup Harness System – the chest harness, the rear harness, the connector strap and the "V" tie-down.

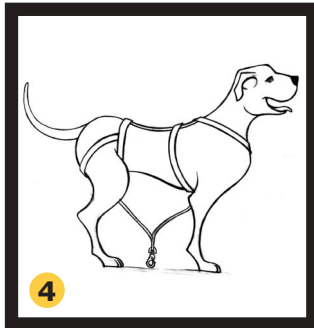
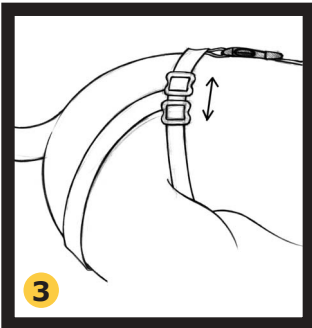
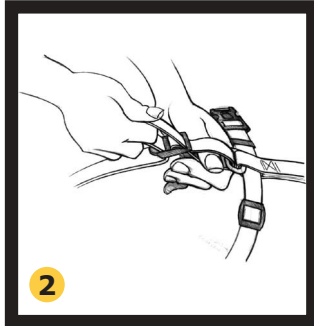
- 1 Dress your dog in the chest harness. See (A) in diagram at left.
- 2 Attach the connector strap (B) to the leash loop (C) of the chest harness.
- 3 Take the rear harness (D) and lay it over the back haunches of the dog. Hold the plastic buckle (F) in one hand and orient it so that it's pointing towards the dog's head.
- 4 Reach through one of the leg loops (E), pick up a rear foot, bend the leg up and pull it through the leg loop.
- 5 Snap the rear harness' buckle (F) to the end of the connector strap (B).
- 6 Repeat Step 4 with the opposite leg.
- 7 The dog's tail should stick out the back of the harness. If it isn't already, gently pull it through. Adjust the rear fastening point (G) if necessary.
- 8 In the vehicle the "V" tie-down (H) must be connected. One end connects to the rear harness under the dog's belly, the other end connects to the chest harness under the dog's chest. The "V" tie-down swivel hook clips to a seat belt or anchor point in your vehicle.
- 9 If this is the first time you're dressing your dog in the harness, make additional adjustments to ensure the proper fit. See **How To Adjust The Fit**.





**HOW TO ADJUST THE FIT OF THE HARNESS**

**ADJUST FIT**



If this is the first time you are putting the Buckle-Up-Pup harness on your dog, you will have to adjust the fit. There are four areas that require adjustment – the diameter and position of the leg loop, the length of the connector strap and the length of the "V" tie-down

- 1 Adjust the diameter of the leg loops. The loops should be snug around the dog's legs, but not tight.
- 2 Adjust the length of the connector strap between the chest and rear harness. It works like suspenders.
- 3 Adjust the metal buckles of the leg loops, located to the left and right over the dog's hips. Move the buckles as close to the dog's spine as is comfortable for its reproductive parts. Females typically need the buckles spaced lower, farther from the center.
- 4 Adjust the length of the "V" tie-down straps. Set the length of the straps to a comfortable standing height for the dog. One end connects to the rear harness under the dog's belly, the other end connects to the chest harness under the dog's chest. The "V" tie-down swivel hook clips to a seat belt or anchor point in your vehicle.



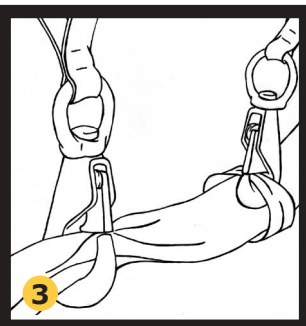
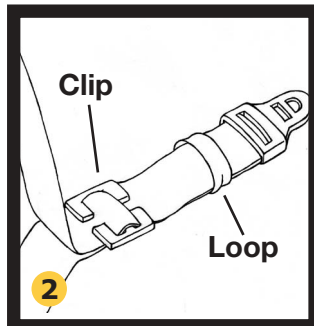
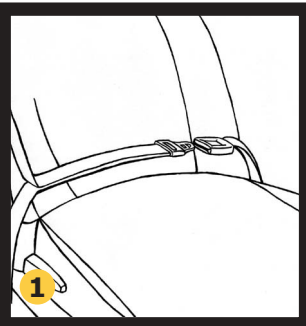
**HOW TO INSTALL THE SEAT BELT CLIP**

**INSTALL SEAT BELT CLIP**



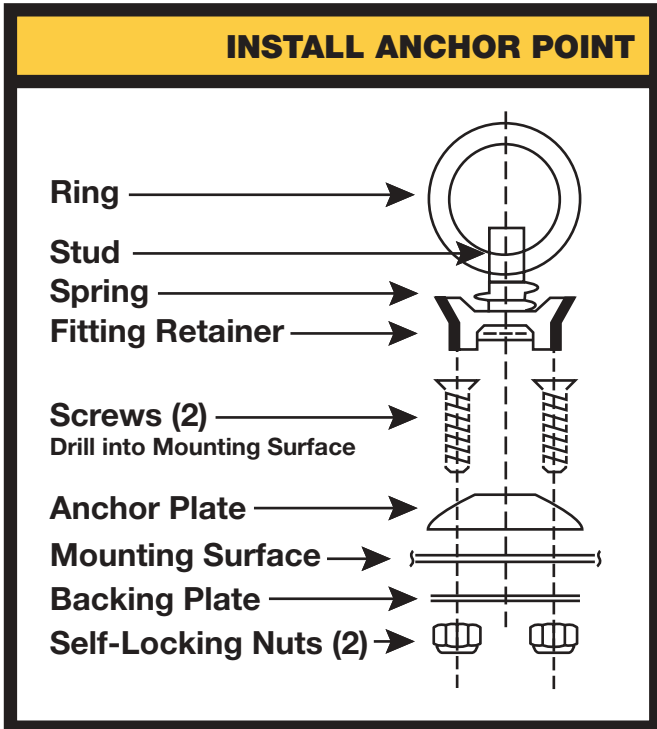
The seat belt clip holds the chest belt out of the way to prevent your dog from getting tangled. The clip also prevents the latch plate from sliding freely.

- 1** Buckle seat belt and tighten. Align shoulder belt parallel to lap belt, hold together, and then unbuckle.
- 2** Slide the locking clip onto both the chest and lap belts approximately 18 inches away from the latch plate. If you have a small or a mini harness, slide the seat belt loop on so it sits between the clip and the latch plate.
- 3** Buckle the seat belt and attach the "V" tie-down swivel hook to the seat belt strap by folding/crimping the seat belt strap between the clip and the latch plate. If you have a small or mini harness, connect the hook to the seat belt loop.
- 4** Verify that the hook is completely closed and not pinching the seat belt strap. Test the installation to see if your dog is secure. If not, repeat steps 1 through 3 until secure.



**WARNING:** Do not use the seat belt clip to shorten the seat belt. Remove the seat belt clip from seat belts when not being used with the Buckle-Up-Pup Harness. Keep in a secure area out of the reach of children.

**HOW TO INSTALL THE ANCHOR POINT**



The Anchor Point mounts to the bed or floor of trucks, vans and jeeps and can be used with any size Buckle-Up-Pup Harness.

- 1** Attach the anchor plate to the vehicle's bed or floor. See diagram at left.
- 2** Grasp the fitting retainer between index and middle fingers.
- 3** Depress stud with thumb.
- 4** Slide the stud foot into the slot on the anchor plate until it is centered and retainer is aligned with slot.
- 5** Release thumb pressure to attach fitting to anchor plate.
- 6** Check to ensure that retainer is seated properly in anchor plate.

